



PMC-1302-3

Industrial Ethernet Serial Gateway



Overview

The PMC-1302 ESG is an Industrial Ethernet Serial Gateway which provides one 10/100BaseT Ethernet port and two RS-485 ports. It is the ideal equipment for connecting RS-485 enabled serial devices to an IP-based Ethernet LAN, making it possible to access serial devices over your Ethernet network for any SCADA or Automation applications. The PMC-1302 has been specifically designed with industrial automation in mind and therefore provides un-surpassed performance and reliability under the harshest industrial or commercial environments.

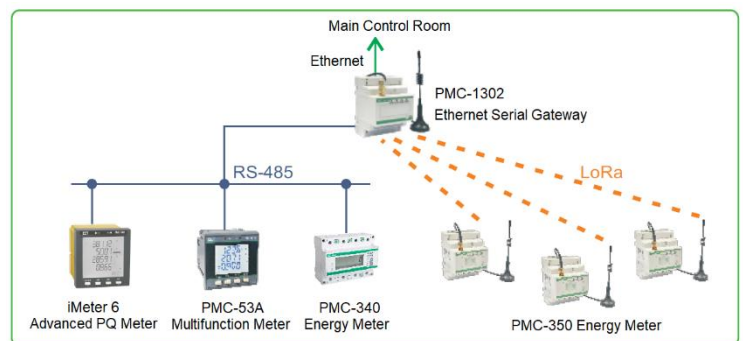
Features

- 1x10/100BaseT, 2xRS-485 ports
- 8 kV ESD protection
- 1.5 kV isolation protection for Ethernet port
- 3kV isolation protection for RS-485
- Simple configuration via its built-in web interface
- DIN-Rail Mount
- Extended operating temperature

Application

The PMC-1302 ESG supports the efficient transfer of serial packets between the upstream network-based applications and the downstream RS485 serial devices via a TCP/IP connection. Instead of using a Windows based "Virtual COM" driver with a port-mapping utility, which is often plagued with driver incompatibility among the many different Windows versions, the PMC-1302 ESG allows applications to directly connect to it via a TCP/IP connection for the transfer of serial packets inside TCP/IP frames to and from downstream serial devices. Perfectly suited for communicating with industrial devices that have timing sensitive protocols, the PMC-1302 ESG provides a reliable interface which allows SCADA or similar applications that already support direct connection with Ethernet Gateway to communicate with serial devices independent of the serial protocol used.

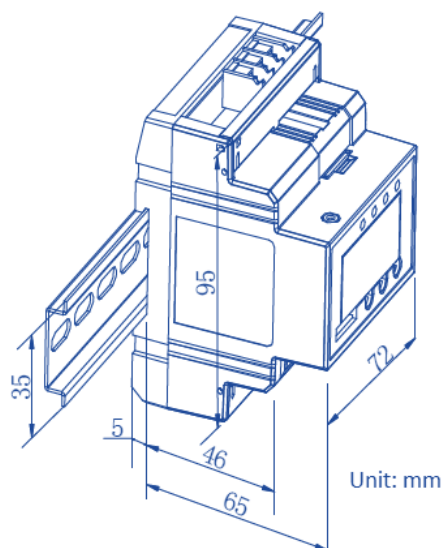
Optional support LoRa wireless communication protocol for collecting data from remote meters. (This is only applied in some regions. Please consult your local Telecommunication Regulatory Authority in advance.)



Technical Specifications

10/100BaseT Ethernet Port (P1)	
Speed	10/100 Mbps
Connector	RJ45
Cable	CAT5, CAT5e with a maximum 100m distance
Serial Ports (P2, P3)	
P2, P3	RS-485 (D+, D- SH)
Baud rate	1200/2400/4800/9600/19200/38400 bps
Front Panel LED Indicators	
Run (Green)	Blinking - System is running normally
Data (Yellow)	Reserved
P2, P3 (Green)	Blinking - Receiving activity
P2, P3 (Yellow)	Blinking - Transmitting activity
Protocol	
Protocol	TCP, UDP, HTTP
Power Supply (L/+, N/-)	
Standard	95-250VAC/DC, 47-440Hz
Burden	<3W
Protection	
ESD Protection	8kV
Isolation Protection	3kV for RS485
	1.5kV for Ethernet Port
Environmental Conditions	
Operating Temp.	-25°C to +70°C
Storage Temp.	-40°C to +85°C
Humidity	5% to 95% non-condensing
Atmospheric pressure	70 kPa to 110kPa
Mechanical Characteristics	
Unit Dimensions	72x65x95mm
Shipping Weight	TBD
Shipping Dimensions	TBD
Mounting	DIN-Rail Mounting
IP Rating	IP 20

Dimensions



Standard of Compliance

Safety Requirements	
Insulation	IEC 60255-5-2000
Dielectric Test	2kV @ 1 minute
Insulation Resistance	>100MΩ
Impulse Voltage	5kV, 1.2/50μs
Electromagnetic Compatibility	
Electrostatic Discharge	IEC 61000-4-2:2008 Level III
Radiated Fields	IEC 61000-4-3:2008 Level III
Fast Transients	IEC 61000-4-4:2004 Level III
Surges	IEC 61000-4-5:2005 Level III
Conducted Disturbances	IEC 61000-4-6:2008 Level IV
Magnetic Fields	IEC 61000-4-8:2009 Level IV
Oscillatory waves	IEC 61000-4-12:2006 Level IV
Radio Disturbances	CISPR 22:2006, Level B
Mechanical Tests	
Spring Hammer Test	IEC 255-21-1:1988 Level I
Vibration Test	IEC 255-21-1:1988 Level I
Shock Test	IEC 255-21-1:1988 Level I

Ordering Information

Product Code		Description	
PMC-1302-3 Industrial Ethernet Serial Gateway			
Basic Function			
T		Transparent Transmission	
Power Supply			
2		95-250 VAC/DC, 47-440Hz	
Wire Communication			
T2		1x10/100BaseT, RJ45 connector and 2xRS485	
Wireless Communication			
N		None	
Language			
E		English	
PMC-1302-3	-	T 2 T2 N E	PMC-1302-3-T2T2NE (Standard Model)



CET
Electric
Technology

Version 20180807